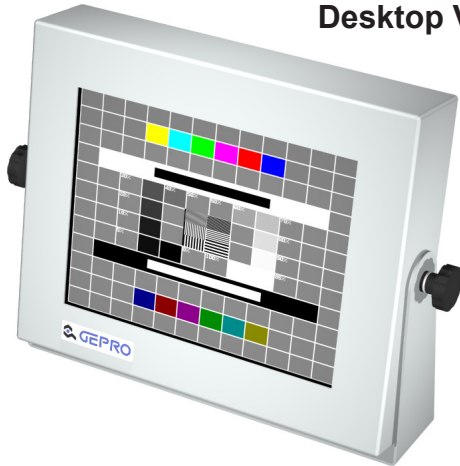


10.4" Industrial TFT LCD Monitor

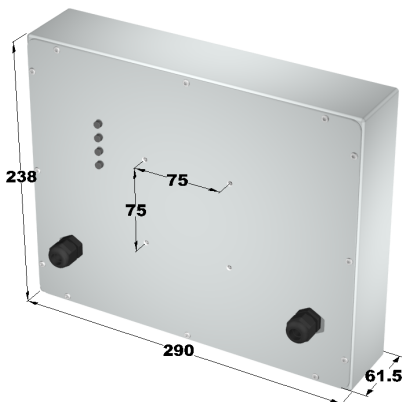
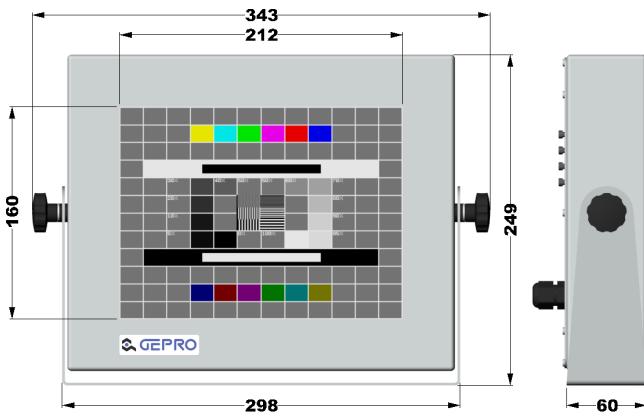
Industrial TFT LCD Monitors
CRT Replacement Monitors
Industrial Panel PC

LCD10DO

Desktop Vers. 1



- Optional waterproof (IP65 all around)
- Optional Touchscreen



Specifications

LCD Panel

Display Type	10.4" TFT LCD
Resolution	800 x 600
<i>option</i>	1024 x 768
Colors	262k
Brightness	250cd/m ² (typ.)
<i>option</i>	up to 600cd/m ² (typ.)
Viewing Angle	130° H, 100° V (typ.)
<i>option</i>	176° H, 176° V (typ.)

Interface

VGA Input	HD-Sub 15pin, DVI
<i>option</i>	Video Input - Composite, S-Video, PAL/NTSC, SDI
OSD Control	Brightness, Contrast, Phase, Size, Sharpness, Auto Adjust, etc.

Mechanical

Construction	Steel/ aluminium chassis, powder coated, RAL 9005, 7035, 7032, etc.
<i>option</i>	Stainless steel chassis
Dimension	290 x 238 x 61.5mm
Mounting	VESA 75 x 75mm (4 x M4)
Protection	Anti glare protection glass (IP65 on frontside)
<i>option</i>	IP65 all around

Electrical

Power Supply	115/230V AC, 50/60Hz
<i>option</i>	12V, 24V, 48V DC

Environmental

Temperature	Operating 0°C to 45°C Storage -20°C to 60°C
Humidity	max. 90% RH, non condensing

Options

Standard mounting bracket
VESA-mount desktop-stand
Touchscreen
AC adapter
other options on request

Accessories (included)

Power-cord, VGA-cable, DVI-cable

