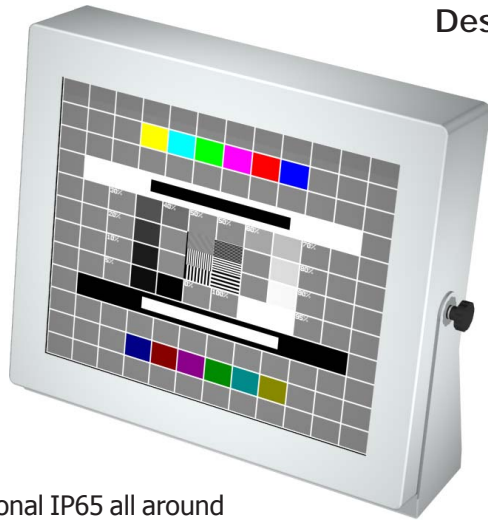
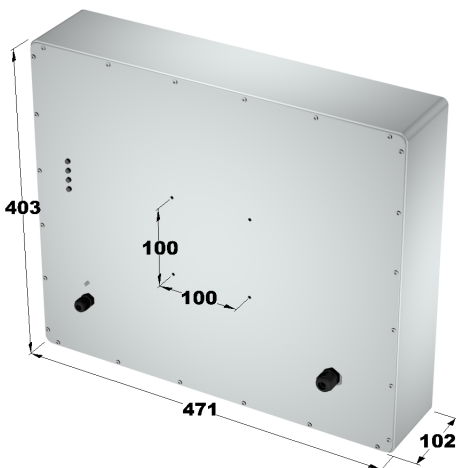
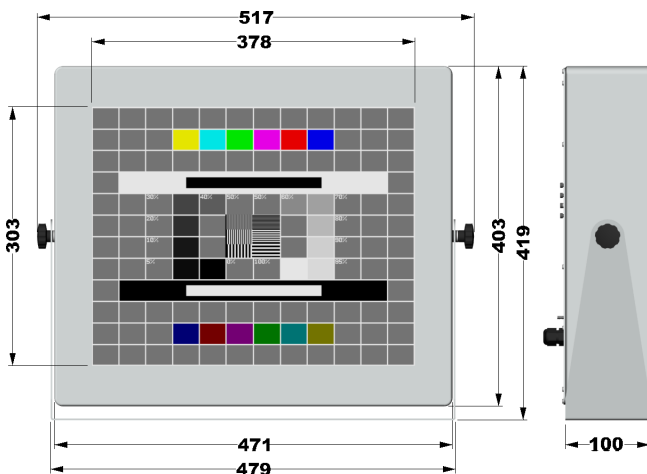


LCD19DO

Desktop



- optional IP65 all around
- optional touchscreen



Specifications

LCD Panel

Display Type	19" TFT LCD
Resolution	1280 x 1024
Colors	16.7M
Brightness	300cd/m ²
<i>option</i>	transflective, >800 cd/m ² (typ.)
Viewing Angle	178° H, 178° V (typ.)

Interface

VGA Input	HD-Sub 15pin, DVI
<i>option</i>	Video Input - Composite, S-Video, PAL/NTSC, SDI
OSD Control	Brightness, Contrast, Phase, Size, Sharpness, Auto Adjust, etc.

Mechanical

Construction	Steel/Aluminium chassis powder coated, RAL 9005, 7035, 7032, etc.
<i>option</i>	Stainless steel chassis
Dimension	471 x 403 x 102mm (w/o mounting bracket)
Mounting	VESA 100 x 100mm (M4)
Protection	Anti glare protection glass (IP65 on frontside)
<i>option</i>	IP65 all around

Electrical

Power Supply	115/230V AC, 50/60Hz
<i>option</i>	12V DC, 24V DC, 48V DC

Environmental

Temperature	Operating	0°C to 45°C
	Storage	-20°C to 60°C
Humidity	max. 90% RH, non condensing	

Options

- Mounting bracket
- VESA-Mount desktop stand
- Touchscreen
- AC adapter
- 2 Loudspeakers
- other options on request*

Accessories (included)

- Power-cord, VGA-cable, DVI-cable

