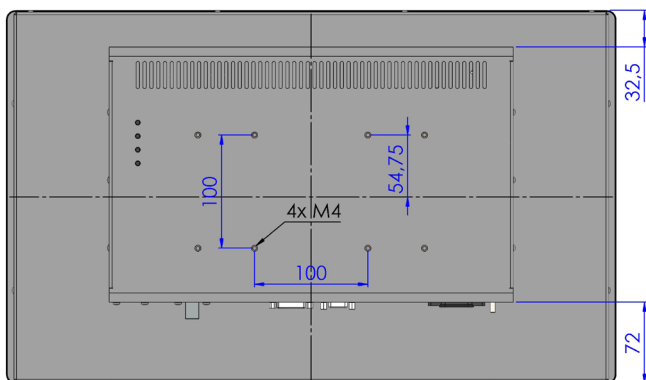
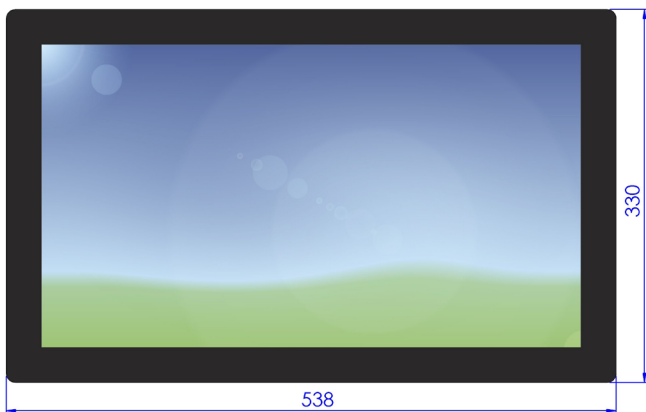
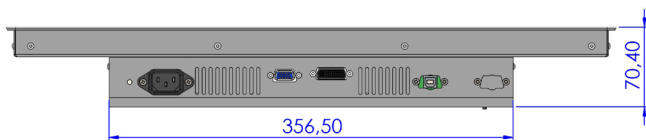


LCD21WDSC-7A

Desktop



- Projected Capacitive Touchscreen



Specifications

LCD Panel

Display Type	21.5" TFT LCD
Resolution	1920 x 1080
Colors	16.7M
Backlight	LED
Brightness	250cd/m ² (typ.)
Viewing Angle	178° H, 178° V (typ.)

Touchscreen

Projected Capacitive Touchscreen via USB

Interface

VGA Input	HD-Sub 15pin, DVI
<i>option</i>	HDMI® , DisplayPort™
<i>option</i>	Video Input - Composite, S-Video, PAL/NTSC, SDI
OSD Control	Brightness, Contrast, Phase, Size, Sharpness, Auto Adjust, etc.

Mechanical

Construction	Protection glas front panel with passe-partout (RAL 9005, jet black) and PCAP touch screen, powder coated steel chassis
Color	RAL 9005, 7035, 7032, 9006, etc.
Dimension	538 x 330 x 70.4mm, (w/o screws)
Mounting	VESA 100 x 100mm (4 x M4)

Electrical

Power Supply	115/230V AC, 50/60Hz
<i>option</i>	12V, 24V DC

Environmental

Temperature	operating 0°C to 50°C storage -20°C to 60°C
Humidity	max. 90% RH, non condensing
Protection	IP65 on frontside

Options

AC adapter
other options on request

Accessories (included)

Power-plug, VGA-cable, DVI-cable

The terms HDMI and HDMI High-Definition Multimedia Interface, and the HDMI Logo are trademarks or registered trademarks of HDMI Licensing, LLC in the United States and other countries. DisplayPort™ and the DisplayPort™ logo are trademarks owned by the Video Electronics Standards Association (VESA®) in the United States and other countries.

Dimensions in mm

8K

All rights reserved. Specifications subject to change without prior notice