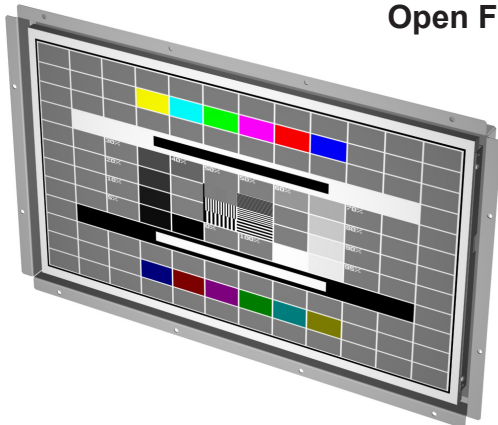
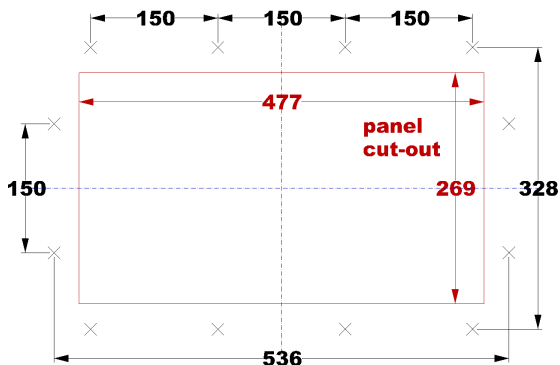
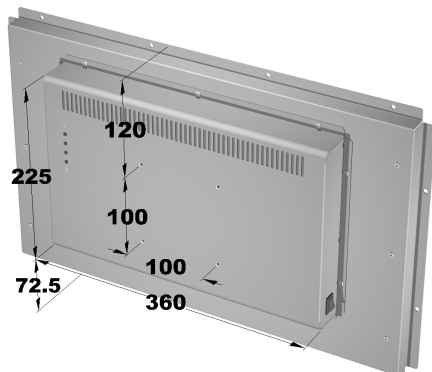
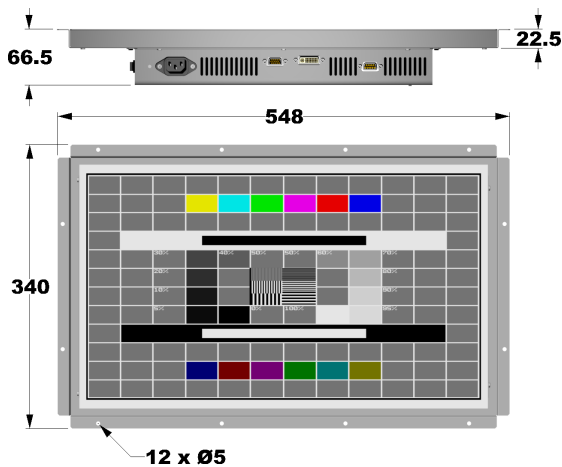


## LCD21WF

Open Frame



• Optional touchscreen



Dimensions in mm

12D

All rights reserved. Specifications subject to change without prior notice

## Specifications

### LCD Panel

Display Type	21.5" TFT LCD
Resolution	1920 x 1080
Colors	16.7M
Brightness	250cd/m <sup>2</sup> (typ.)
Viewing Angle	178° H, 178° V (typ.)

### Interface

VGA Input	HD-Sub 15pin, DVI
<i>option</i>	Video Input - Composite, S-Video, PAL/NTSC, SDI
OSD Control	Brightness, Contrast, Phase, Size, Sharpness, Auto Adjust, etc.

### Mechanical

Construction	Steel chassis
Dimension	548 x 340 x 66.5mm
Mounting	Chassis mount 12 x Ø5mm VESA 100 x 100mm (4 x M4)

### Electrical

Power Supply	115/230V AC, 50/60Hz
<i>option</i>	12V, 24V, 48V DC

### Environmental

Temperature	Operating 0°C to 45°C Storage -20°C to 60°C
Humidity	max. 90% RH, non condensing

### Options

Touchscreen, resistive  
AC adapter  
*other options on request*

### Accessories (included)

Power-cord, VGA-cable, DVI-cable