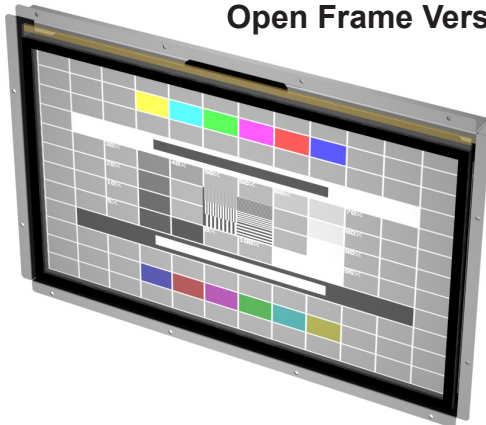
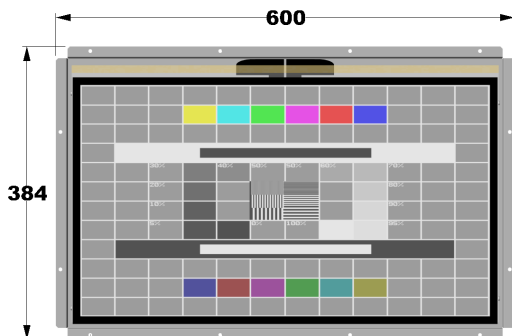


## LCD24WF-PCT

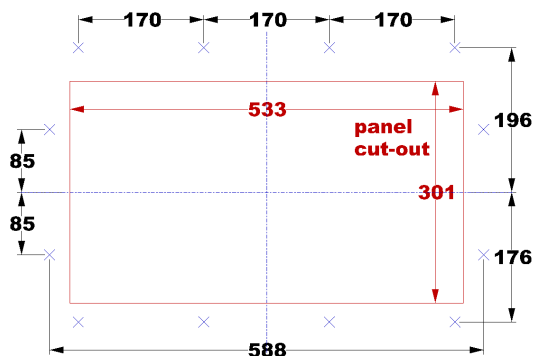
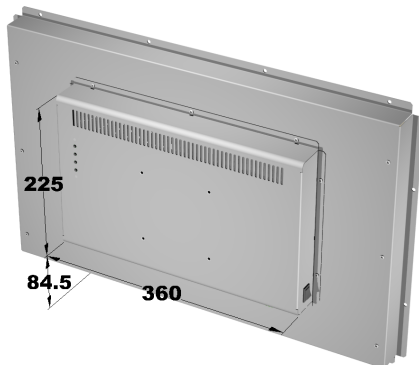
Open Frame Vers. PCT



• Projected capacitive touchscreen



12 x Ø5



## Specifications

### LCD Panel

Display Type	24" TFT LCD
Resolution	1920 x 1080
Colors	16.7M
Brightness	300cd/m <sup>2</sup> (typ.)
Viewing Angle	178° H, 178° V (typ.)

### Interface

VGA Input	HD-Sub 15pin, DVI
<i>option</i>	Video Input - Composite, S-Video, PAL/NTSC, SDI
OSD Control	Brightness, Contrast, Phase, Size, Sharpness, Auto Adjust, etc.

### Touchscreen

Projected capacitive	USB/ RS232
----------------------	------------

### Mechanical

Construction	Steel chassis
Dimension	600 x 384 x 80mm
Mounting	Chassis mount 12 x Ø5mm VESA 100 x 100mm (4 x M4)

### Electrical

Power Supply	115/230V AC, 50/60Hz 12V, 24V, 48V DC
--------------	--

### Environmental

Temperature	Operating 0°C to 45°C Storage -20°C to 60°C
Humidity	max. 90% RH, non condensing

### Options

AC adapter	
<i>other options on request</i>	

### Accessories (included)

Power-cord, VGA-cable, DVI-cable	
----------------------------------	--