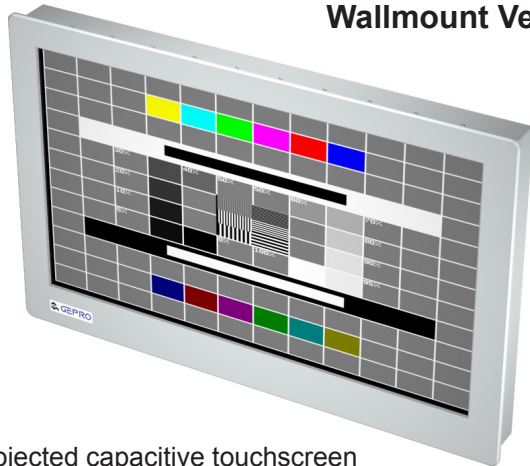
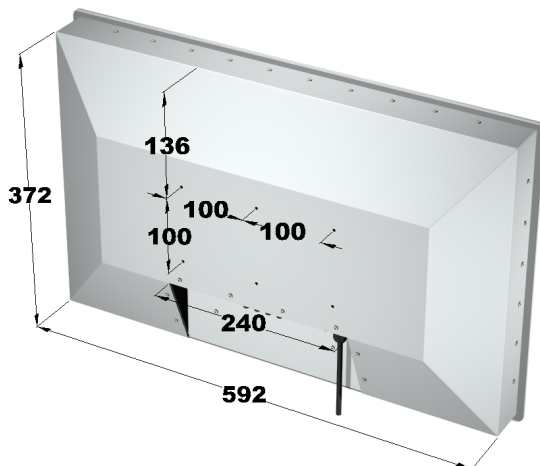
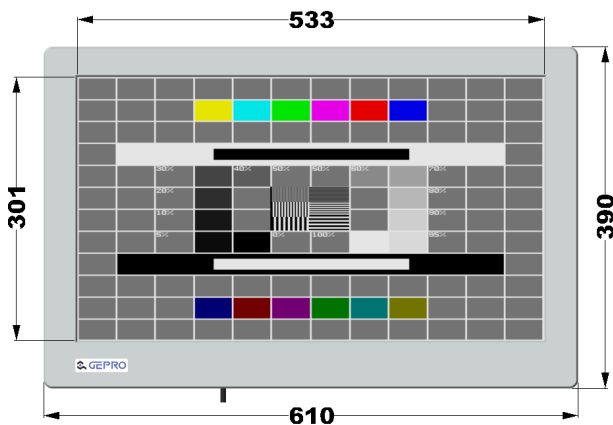


## LCD24WP-PCT

Wallmount Vers.2



- Projected capacitive touchscreen



Dimensions in mm

12F

All rights reserved. Specifications subject to change without prior notice

## Specifications

### LCD Panel

Display Type	24" TFT LCD
Resolution	1920 x 1080
Colors	16.7M
Brightness	300cd/m <sup>2</sup> (typ.)
Viewing Angle	178° H, 178° V (typ.)

### Interface

VGA Input	HD-Sub 15pin, DVI
<i>option</i>	Video Input - Composite, S-Video, PAL/NTSC, SDI
OSD Control	Brightness, Contrast, Phase, Size, Sharpness, Auto Adjust, etc.

### Touchscreen

Projected capacitive	USB/ RS232
----------------------	------------

### Mechanical

Construction	Steel chassis and aluminium front panel, powder coated
Color	RAL 9005, 7032, 7035, 9006 etc.
Front Dimension	610 x 390 x 5mm
Cover Dimension	592 x 372 x 90mm
Mounting	VESA 200 x 100mm (6 x M4)

### Electrical

Power Supply	115/230V AC, 50/60Hz, 60VA
<i>option</i>	(typ., depending on configuration) 12V, 24V, 48V DC

### Environmental

Temperature	Operating 0°C to 45°C
<i>option</i>	<b>Operating -20°C to 50°C</b>
Humidity	Storage -20°C to 60°C max. 90% RH, non condensing

### Options

AC adapter  
*other options on request*

### Accessories (included)

Power-cord, VGA-cable, DVI-cable