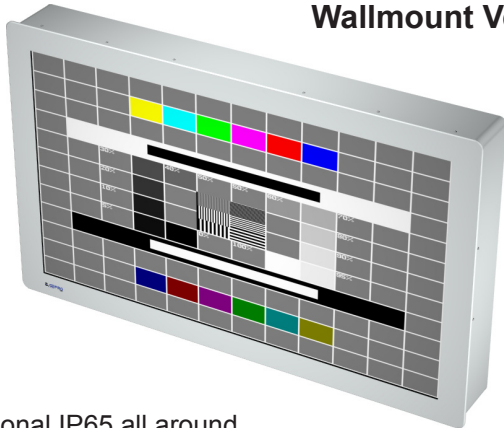
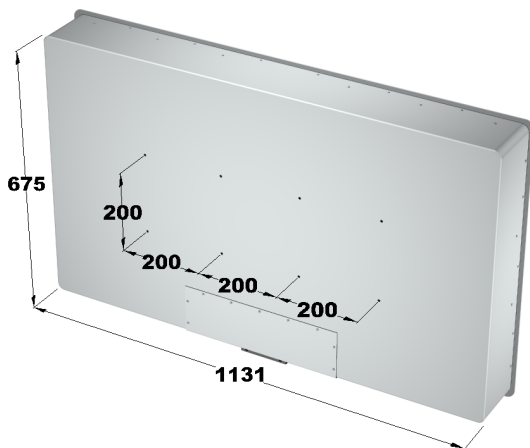
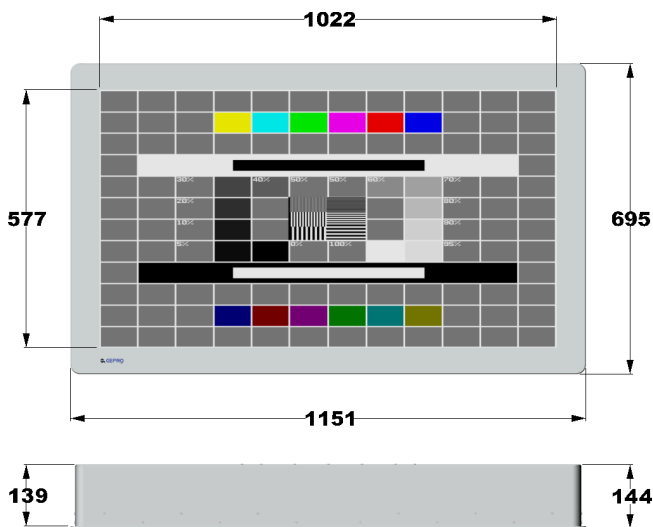


LCD46WO Wallmount Vers.1



- Optional IP65 all around
- Optional wide temperature operating



cable sealing

Dimensions in mm

13D

All rights reserved. Specifications subject to change without prior notice

Specifications

LCD Panel

Display Type	46" TFT LCD
Resolution	1920 x 1080
Colors	16.7M
Brightness	500cd/m ² (typ.)
<i>option</i>	Sunlight readable (>800cd/m ²)
Viewing Angle	178° H, 178° V (typ.)

Interface

VGA Input	HD-Sub 15pin, DVI
<i>option</i>	Video Input - Composite, S-Video, PAL/NTSC, SDI
OSD Control	Brightness, Contrast, Phase, Size, Sharpness, Auto Adjust, etc.

Mechanical

Construction	Aluminium front panel and chassis, powder coated RAL 9005, 7035, 7032, 9006, etc.
Front Dimension	1151 x 695 x 5mm
Cover Dimension	1131 x 675 x 139mm (w/o screws, cable sealing)
Mounting	VESA 600 x 200mm (8 x M6)

Electrical

Power Supply	115/230V AC, 50/60Hz
<i>option</i>	24V, 48V DC

Environmental

Temperature	Storage -20°C to 60°C Operating 0°C to 45°C
Humidity	max. 90% RH, non condensing

Options

Control	Infrared
Audio	2 x loudspeaker
Protection glass	anti glare, IP65 on frontside
Waterproof	IP65 all around
Wide Temperature	Operating -20°C to 50°C
AC adapter	
<i>other options on request</i>	

Accessories (included)

Power-cord, VGA-cable, DVI-cable