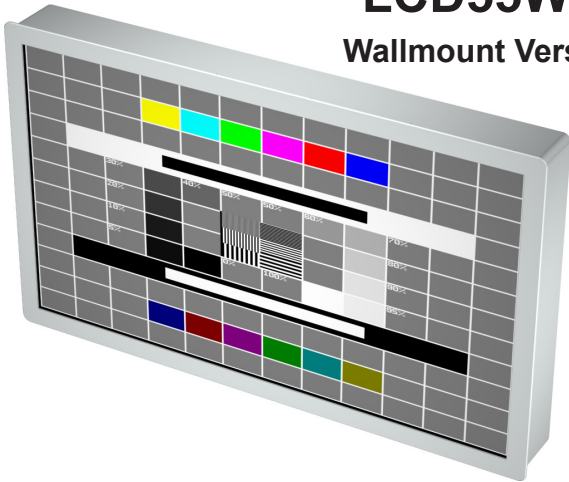


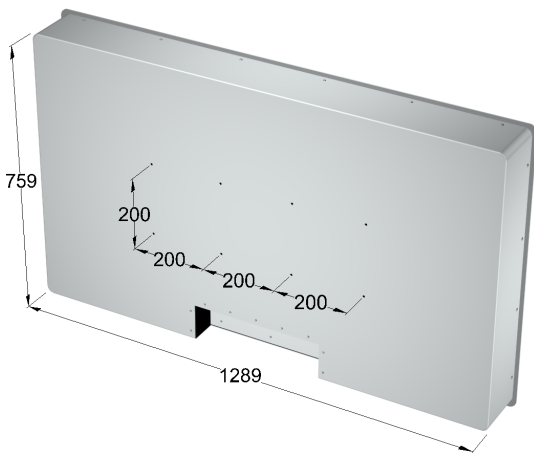
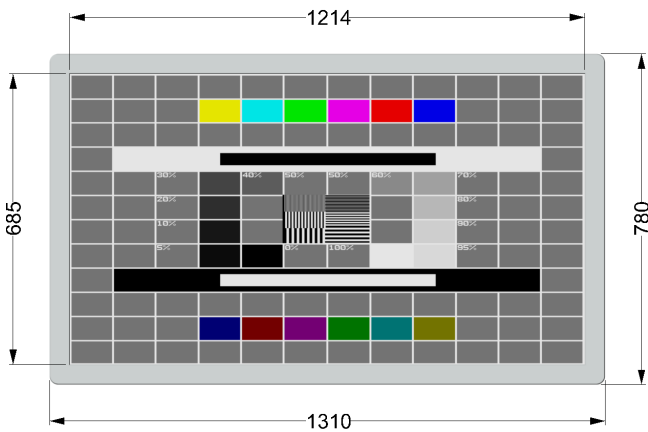
# 55" Industrial TFT LCD Monitor

Industrial TFT LCD Monitors  
CRT Replacement Monitors  
Industrial Panel PC

## LCD55WO Wallmount Vers.1



- Optional waterproof
- Optional wide temperature operating



## Specifications

### LCD Panel

Display Type	55" TFT LCD
Resolution	1920 x 1080
Colors	16.7M
Brightness	500cd/m <sup>2</sup> (typ.)
Viewing Angle	178° H, 178° V (typ.)

### Interface

VGA Input	HD-Sub 15pin, DVI
OSD Control	Video Input - Composite, S-Video, PAL/NTSC, SDI
	Brightness, Contrast, Phase, Size, Sharpness, Auto Adjust, etc.

### Mechanical

Construction	Aluminium front panel and chassis, powder coated
Color	RAL 9005, 7035, 7032, 9006, etc.
Dimension	1310 x 780 x 147mm
Mounting	VESA 600 x 200mm (8 x M6)

### Electrical

Power Supply	115/230V AC, 50/60Hz
--------------	----------------------

### Environmental

Temperature	Operating 0°C to 45°C Storage -20°C to 60°C
Humidity	max. 90% RH, non condensing

### Options

Control	Infrared
Audio	2 x loudspeaker
Protection glass	Anti glare, IP65 on frontside
<b>Waterproof</b>	<b>IP65 all around</b>
<b>Wide Temperature</b>	<b>Operating -20°C to 50°C</b>
<i>other options on request</i>	

### Accessories (included)

Power-cord, VGA-cable, DVI-cable

Dimensions in mm

12K

All rights reserved. Specifications subject to change without prior notice