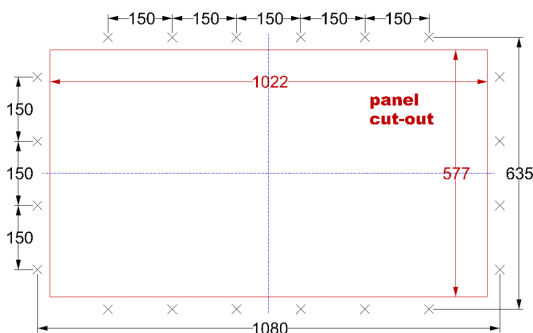
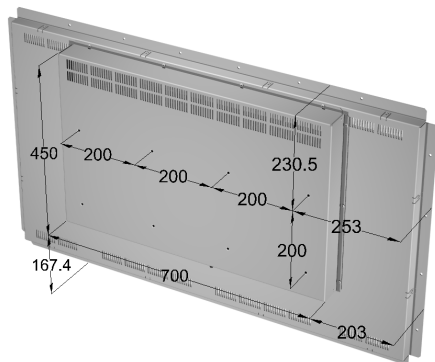
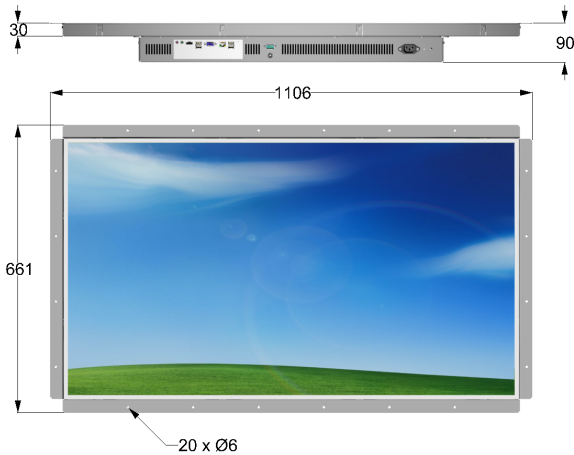
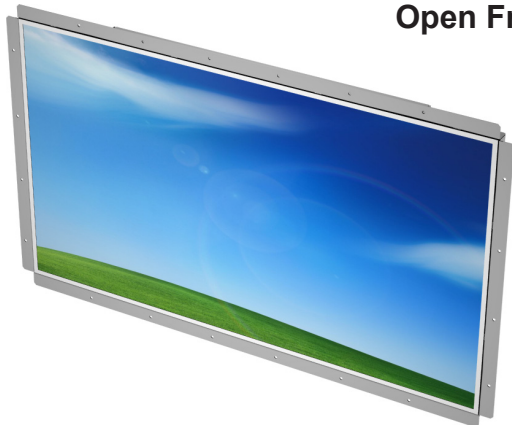


PPC46WF

Open Frame



Specifications

LCD Panel

Display Type	46" TFT LCD
Resolution	1920 x 1080
Colors	16.7M
Backlight	LED
Brightness	500cd/m ² (typ.)
option	up to 700cd/m ² (typ.)
Viewing Angle	178° H, 178° V (typ.)

PC System

Processor	Intel® Atom™, 2x1.86GHz
option	Intel® Core™ i3, 2x2.8GHz
option	Intel® Core™ i5, 2x2.9GHz (3.6GHz ¹)
Memory	DDR3 RAM 2GB
option	up to 8GB (depending on System)
Storage	2,5" HDD 80GB, opt. up to 500GB
option	2,5" SSD 8 - 256GB
I/O Port	1 x Gigabit-LAN
	2 x USB 2.0
	more/ other I/O-Ports on request

Mechanical

Construction	Steel chassis
Dimension	1106 x 661 x 90mm
	1106 x 661mm x TBD ²
Mounting	Chassis mount 20 x Ø6mm
	VESA 600 x 200mm (8 x M6)

Electrical

Power Supply	115/230V AC, 50/60Hz
option	24V, 48V DC

Environmental

Temperature	Storage -20°C to 60°C
	Operating 0°C to 45°C
Humidity	max. 90% RH, non condensing

Options

Operating System	Microsoft® Windows® XP Pro ²
	Microsoft® Windows® 7 Pro
	Microsoft® Windows® 8 Pro ²
	Microsoft® Windows® Embedded
	anti glare

Protection glass
AC adapter
other options on request

Accessories (included)

Power-cord

¹ Intel® Turbo Boost ² with Intel® Core™ i3 / i5 processors

Intel®, Celeron®, Pentium®, Intel® Core™ and Intel® Atom™ are trademarks of the Intel Corporation in the U.S. and other countries.
Microsoft® and Windows® are trademarks of the Microsoft® Corporation in the U.S. and other countries.

Dimensions in mm

13D

All rights reserved. Specifications subject to change without prior notice