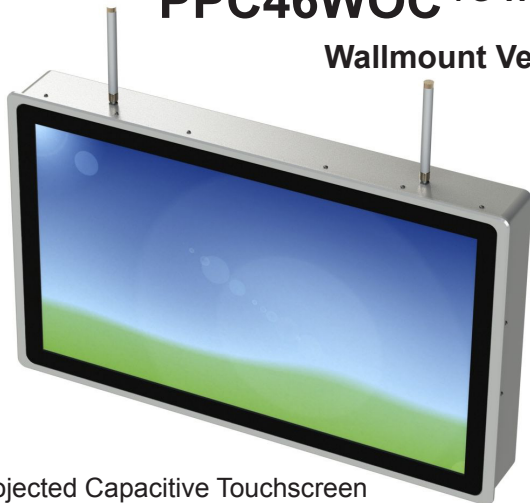
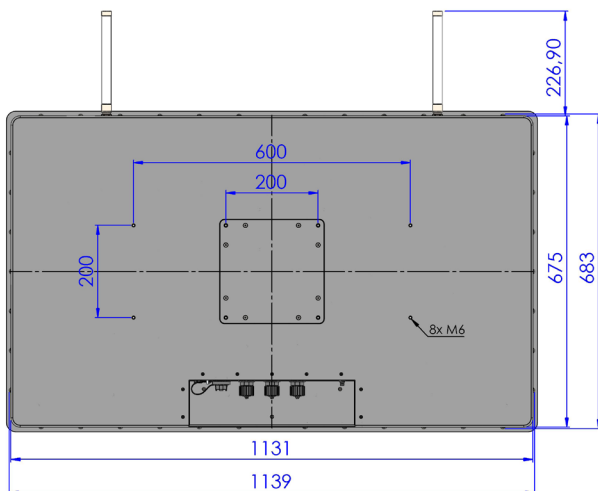
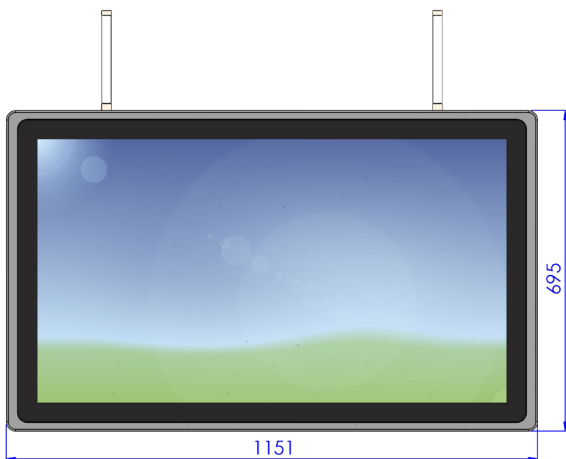
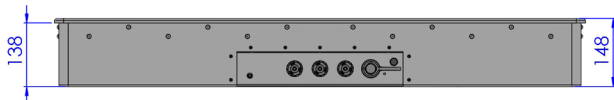


PPC46WOC-7G-WLAN

Wallmount Vers.1



- Projected Capacitive Touchscreen
- Wireless LAN
- Optional IP65 all around (waterproof)
- Optional wide temperature operating



Specifications

LCD Panel

Display Type	46" TFT LCD
Resolution	1920 x 1080
Colors	16.7M
Brightness	500cd/m ² (typ.)
option	Sunlight readable (>800cd/m ²)
Viewing Angle	178° H, 178° V (typ.)

PC System

Processor/ Memory	Intel® Celeron®, Quadcore 2.0GHz/ up to 8GB RAM
option	Intel® Core™ i3, i5, i7, 6th Gen./ up to 16GB RAM
Storage	Solid State Disk, up to 1TB
option	2,5" HDD, up to 1TB
I/O Port	WLAN, 802.11ac, 802.11a/b/g/n 1 x LAN 2 x USB 2.0

more/ other I/O-Ports on request

Mechanical

Construction	Powder coated aluminum front panel with recessed protection glass and PCAP touch screen, powder coated aluminium chassis
Color	RAL 9005, 7035, 7032, 9006, etc.
Front Dimension	1151 x 695 x 10mm
Cover Dimension	1131 x 675 x 138mm, (w/o screws)
Mounting	VESA 600 x 200mm (8 x M6)

Electrical

Power Supply	115/230V AC, 50/60Hz
option	24V, 48V DC

Environmental

Temperature	Storage -20°C to 60°C Operating 0°C to 45°C
Humidity	max. 90% RH, non condensing

Options

Operating System	Microsoft® Windows® 7 Pro ¹ Microsoft® Windows® 10 Pro Microsoft® Windows® Embedded
Waterproof	IP65 all around
Wide Temperature	Operating -20°C to 50°C

AC adapter
other options on request

Accessories (included)

- Power-cord
- Waterproof LAN-Cable-Connector

¹ with Intel® Celeron® processor only

Intel®, Celeron®, Pentium®, Intel® Core™ and Intel® Atom™ are trademarks of the Intel Corporation in the U.S. and other countries.
Microsoft® and Windows® are trademarks of the Microsoft® Corporation in the U.S. and other countries.

Dimensions in mm

8K

All rights reserved. Specifications subject to change without prior notice