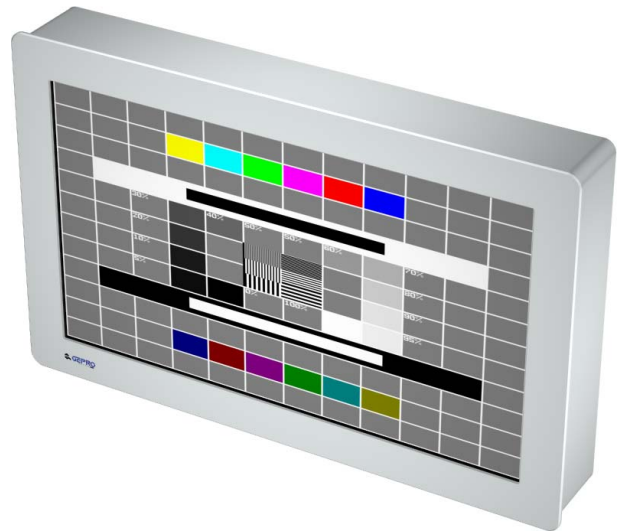


32" LCD-TFT-Monitor LCD32 Widescreen

Machine Building
Measurement
Control Engineering
Visualization
Broadcast
CAD
POS / POI



LCD Panel

Display Type	TFT-Panel, diff. manufacturers
Resolution	1366 x 768
Colors	16.7million, 24bit
Display Area	697.7mm x 392.3mm
Brightness	500 Cd/m ² optional > 800 Cd/m ² (transflective)
Contrast	1000 : 1
Viewing Angle	178° H, 178° V

Interface

VGA Input	HD-Sub 15pin DVI (opt.)
Video Input	Composite, S-Video, PAL / NTSC SDI (opt.)

OSD Control

PC	Auto adjust, Manual adjust
Video	Auto adjust, Manual adjust

Electrical

Power Supply	115-230V AC, 50-60Hz
--------------	----------------------

Mechanical

Front Dimension	820 x 516 x 5mm
Cover Dimension	806 x 502 x 116mm
Color	RAL 7032, 7035, 9005
Weight	TBD
Mounting	VESA 600 x 200mm (M6)

Environmental

Temperature	Operating	0°C to 50°C
	optional	-20°C to 50°C
	Storage	-20°C to 60°C
Humidity	max. 90% RH, non condensing	

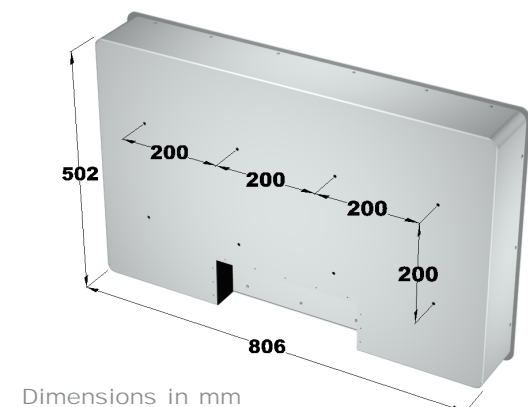
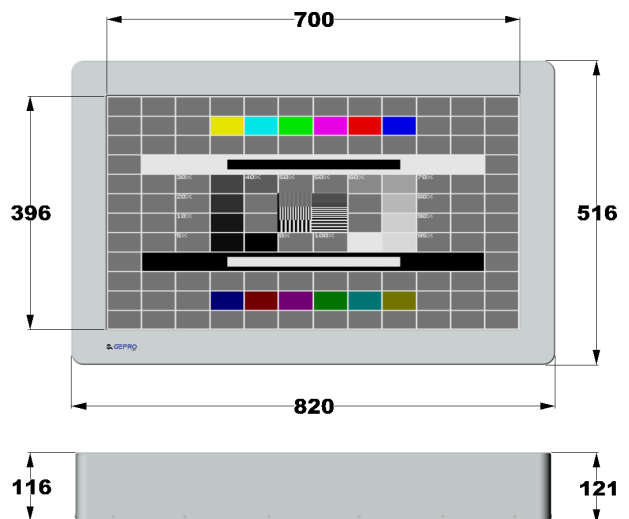
Accessories

Standard	VGA-cable, power-cord
----------	-----------------------

All rights reserved. Specifications subject to change without prior notice

Option

Protection Glass	anti glare, IP65 on frontside
Waterproof	IP65 all around
Control	infrared
Power Supply	24V DC / 6A AC Adapter
Audio	2 Loudspeaker, 5W



Dimensions in mm



GEPRO
GMBH

Neue Strasse 12
35756 Mittenaar

Tel. +49 (0) 2772 64216
Fax. +49 (0) 2772 63779

gepro@t-online.de
www.gepro-gmbh.de